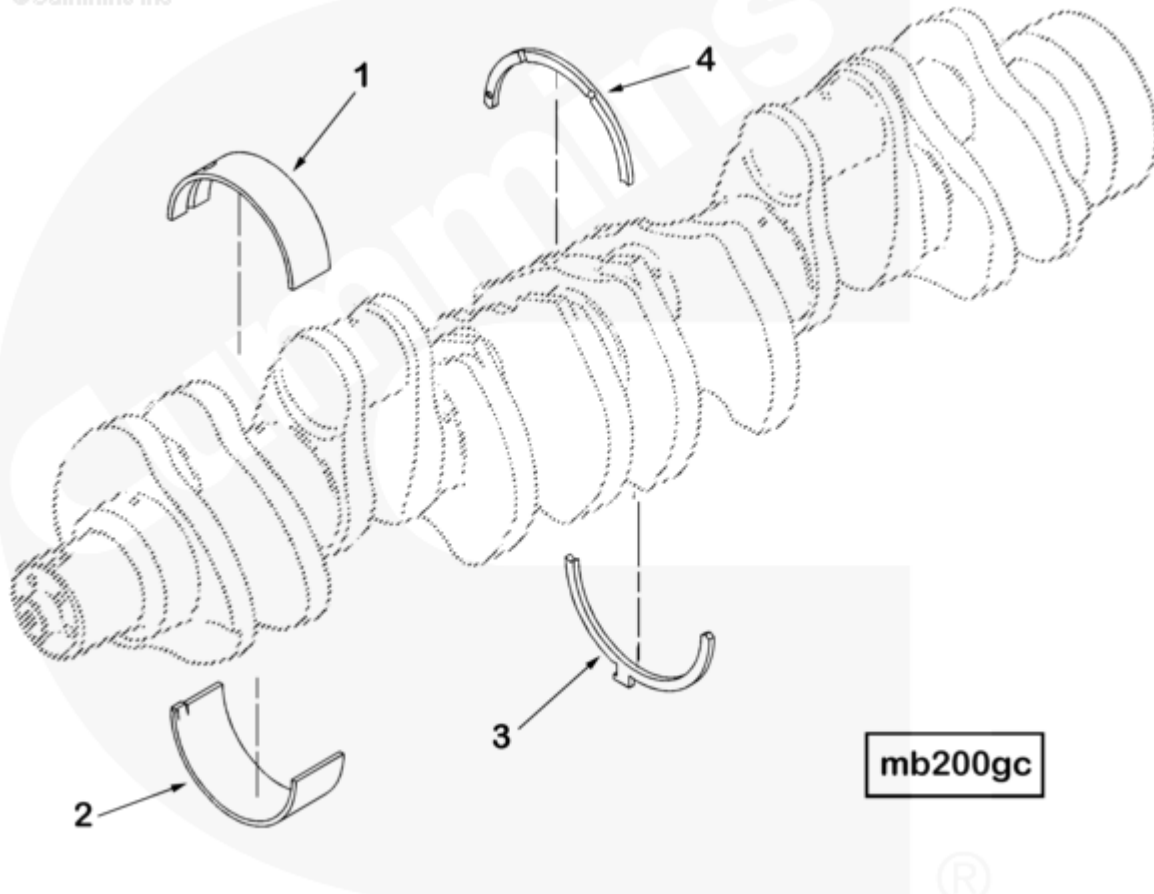




Parts Catalog - Option Detail

Electronic Parts Catalog - Option Detail				
Option	Group	Graphic	Film Card	Date
BB2712-03	01.02.1	mb200gc	II	12-DEC-06
Engines	ISM CM570, ISM CM570/870, ISM CM875, ISM CM876, ISM CM876 E, ISM11 CM876 M103, ISM11 CM876 SN, M11 CELECT, M11 CELECT PLUS, M11 MECHANICAL, QSM11 CM570, QSM11 CM876			

©Cummins Inc



SMALL | MEDIUM | LARGE

Cart	Ref No	Part Number	Part Description	Required	Remarks
View My Cart					
		BB2712-03	Main Bearings	1	Main Bearings
<input type="checkbox"/>	1	3016770	Main Bearing	7	Upper.
<input type="checkbox"/>	2	3016780	Main Bearing	7	Lower.
<input type="checkbox"/>	3	4926017	Thrust Bearing	2	No. 4 Main Standard.

<input type="checkbox"/>	4	4926019	Thrust Bearing	2	No. 4 Main Standard.
<input type="checkbox"/>		4025120	Main Bearing Set	1	Standard.
<input type="checkbox"/>	1	3016770	Main Bearing	7	Upper.
<input type="checkbox"/>	2	3016780	Main Bearing	7	Lower.
<input type="checkbox"/>	3	4926017	Thrust Bearing	2	No. 4 Main Standard.
<input type="checkbox"/>	4	4926019	Thrust Bearing	2	No. 4 Main Standard.
<input type="checkbox"/>		4025121	Main Bearing .010 Set	1	.25 mm oversize.
<input type="checkbox"/>	1	3016771	Main Bearing	7	Upper.
<input type="checkbox"/>	2	3016781	Main Bearing	7	Lower.
<input type="checkbox"/>	3	4926017	Thrust Bearing	2	No. 4 Main Standard.
<input type="checkbox"/>	4	4926019	Thrust Bearing	2	No. 4 Main Standard.
<input type="checkbox"/>		4025122	Main Bearing .020 Set	1	.50 mm oversize.
<input type="checkbox"/>	1	3016772	Main Bearing	7	Upper.
<input type="checkbox"/>	2	3016782	Main Bearing	7	Lower.
<input type="checkbox"/>	3	4926017	Thrust Bearing	2	No. 4 Main Standard.
<input type="checkbox"/>	4	4926019	Thrust Bearing	2	No. 4 Main Standard.
<input type="checkbox"/>		4025125	Main Bearing Set	1	Standard.
<input type="checkbox"/>	1	3016770	Main Bearing	7	Upper.
<input type="checkbox"/>	2	3016780	Main Bearing	7	Lower.
<input type="checkbox"/>	4	4926019	Thrust Bearing	4	No. 4 Main Standard.
<input type="checkbox"/>		4025126	Main Bearing .010 Set	1	.25 mm oversize.
<input type="checkbox"/>	1	3016771	Main Bearing	7	Upper.
<input type="checkbox"/>	2	3016781	Main Bearing	7	Lower.
<input type="checkbox"/>	4	4926019	Thrust Bearing	4	No. 4 Main Standard.

<input type="checkbox"/>		4025127	Main Bearing .020 Set	1	.50 mm oversize.
<input type="checkbox"/>	1	3016772	Main Bearing	7	Upper.
<input type="checkbox"/>	2	3016782	Main Bearing	7	Lower.
<input type="checkbox"/>	4	4926019	Thrust Bearing	4	No. 4 Main Standard.

© 2019 Cummins Inc., Box 3005, Columbus, IN 47202-3005 U.S.A.
Terms of Use and Disclaimers | Recommended System Requirements
Need Assistance? Please click on the Contact Us button in the top right corner of any page.